

TERMINALS

MDW 0.64 mm

Terminal System, unsealed

Plating: Sn & Au

Wire Range: 0.35 mm² - 0.75 mm²

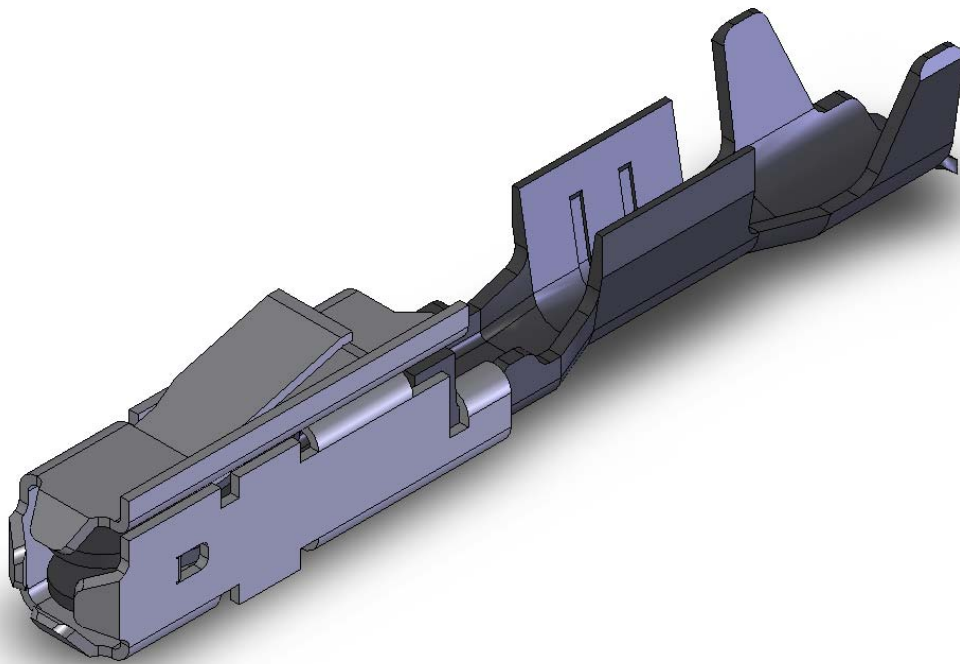
Lock Type: Terminal Lance

Current: approx. max. 8 A

Gender: Female

Tab Size: 0.64 x 0.64 mm

Remark: MQS Cavity Compatible



TERMINALS

M2DW 0.64 mm

Terminal System, unsealed

Plating: Sn & Au

Wire Range: 0.22 mm² - 0.75 mm²

Lock Type: Terminal Lance

Current: approx. max. 8 A

Gender: Female

Tab Size: 0.64 x 0.64 mm

Remark: MQS Cavity Compatible

