

TERMINALS

YAK 1.2 mm

Terminal System, unsealed

Plating: Sn, Ag & Au

Wire Range: 0.14 mm² - 1.50 mm²

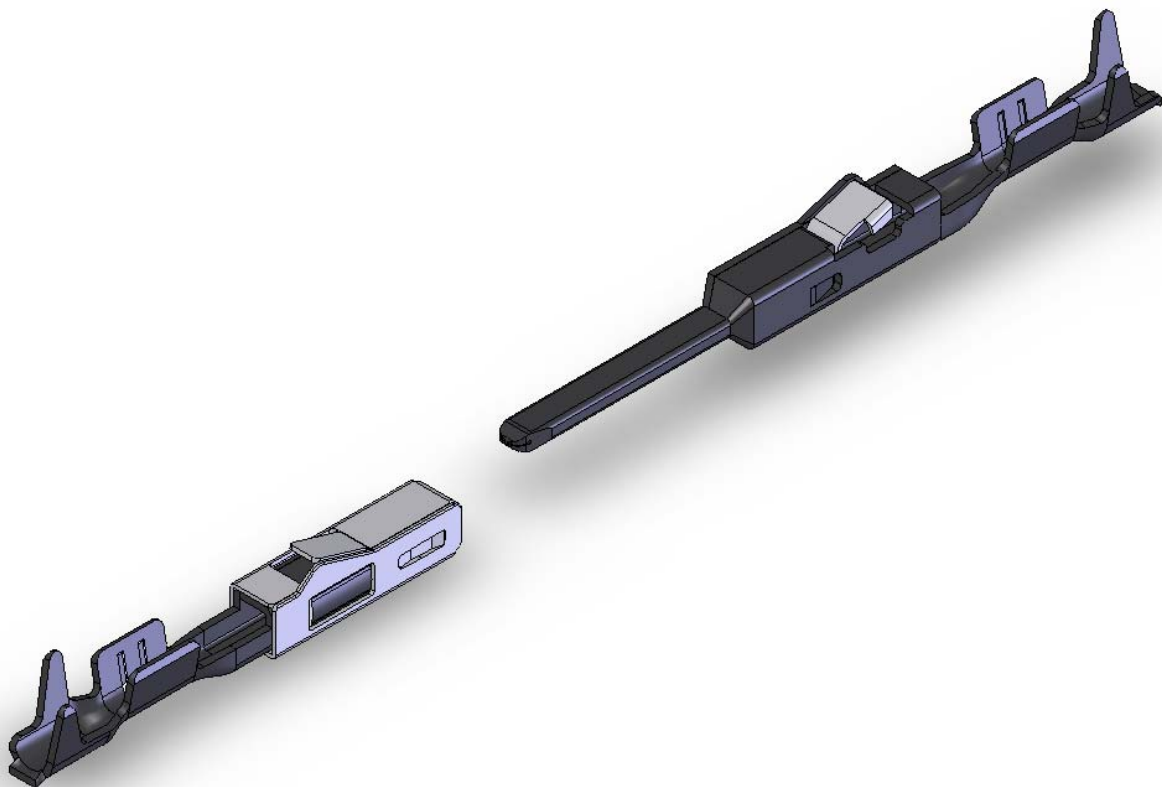
Lock Type: Terminal Lance

Current: approx. max. 11 A

Gender: Male and Female

Tab Size: 1.20 x 0.60 mm

Remark: AK Cavity Compatible



Terminal System, sealed

Plating: Sn, Ag & Au

Wire Range: 0.14 mm² - 1.50 mm²

Lock Type: Terminal Lance

Current: approx. max. 11 A

Gender: Male and Female

Tab Size: 1.20 x 0.60 mm

Remark: AK Cavity Compatible / Single Wire Seal

